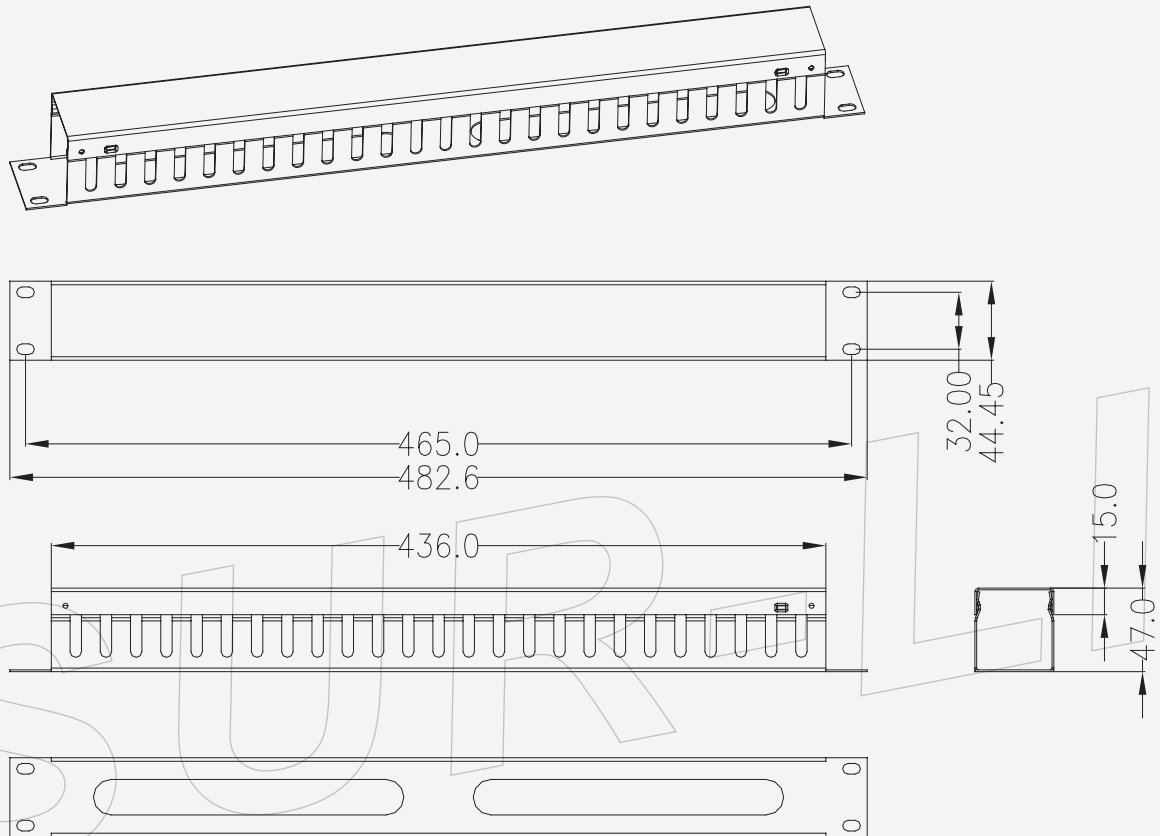


# 1U Metal Cable Management

SLOCM023003



## NOTES:

1. MATERIAL : CARBON STEEL, T=1.0mm, POWDER COATING
2. BODY COLOR : BLACK
3. BURR : 0.05MM MAX
4. PART NUMBER : SLOCM023003