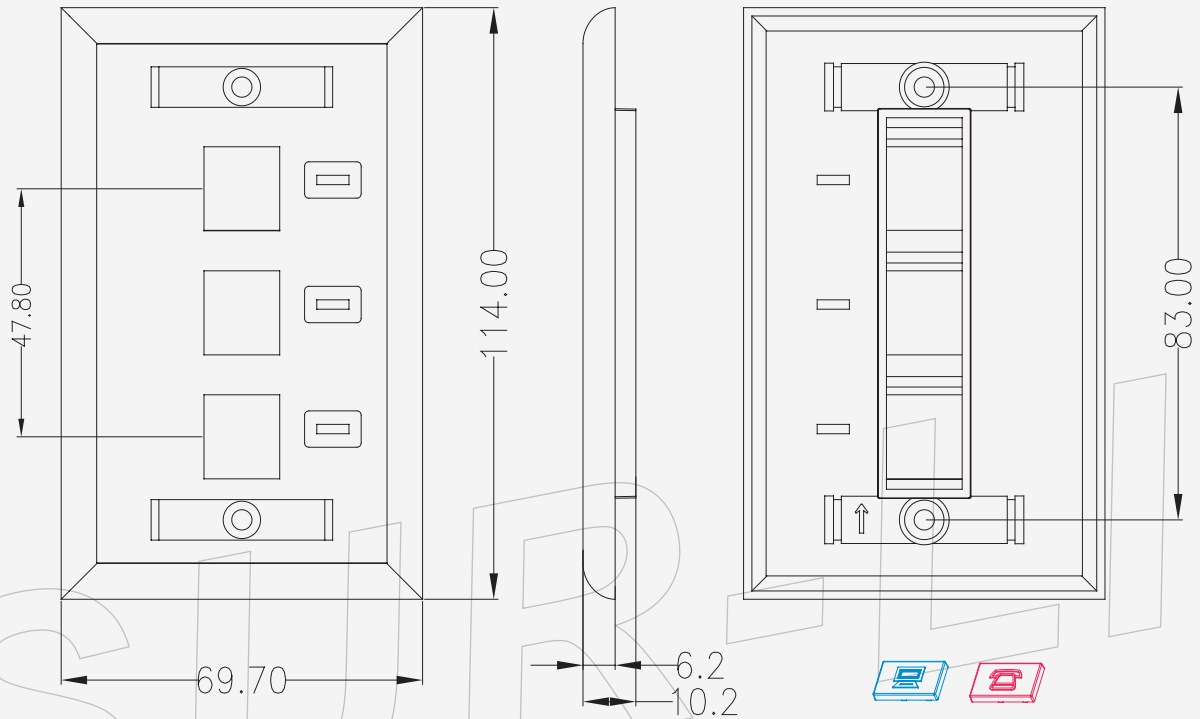


3 Port Faceplate , 120 type

SL0FP03011201



NOTES:

1. MATERIAL : ABS UL94V-0
2. BURR : 0.05mm MAX
3. PART NUMBER:SL0FP03011201