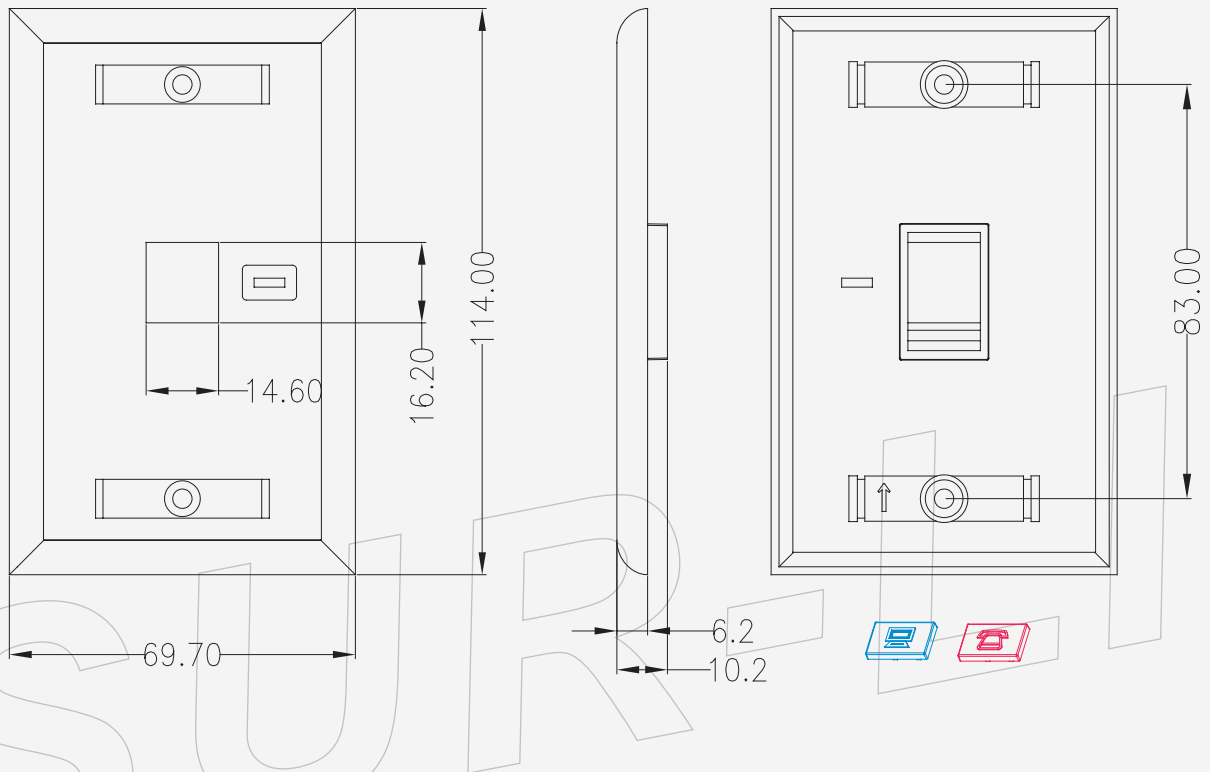


1 Port 120 type Faceplate

SL0FP01011201



NOTES:

1. MATERIAL : ABS UL94V-0
2. BURR : 0.05mm MAX
3. PART NUMBER:SL0FP01011201