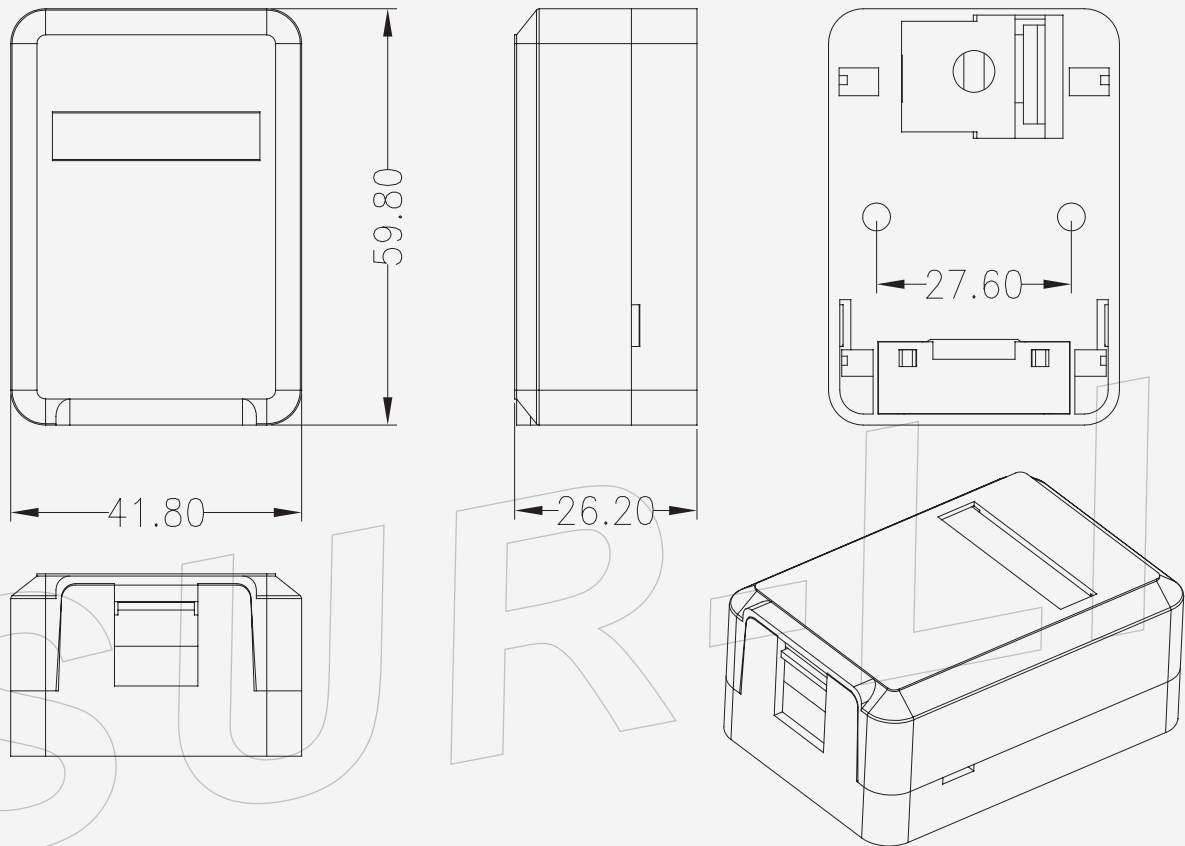


1 Port Mounting Box

SL0FP01011001



NOTES:

1. COVER MATERIAL : ABS UL94V-0
2. BASE MATERIAL : ABS UL94V-0
3. DUST COVER MATERIAL : ABS UL94V-0
4. BURR : 0.05mm MAX
5. PART NUMBER:SL0FP01011001