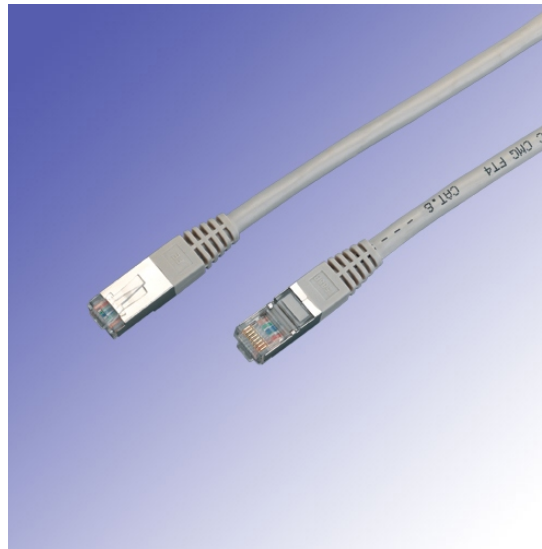


PRODUCTS SPECIFICATION

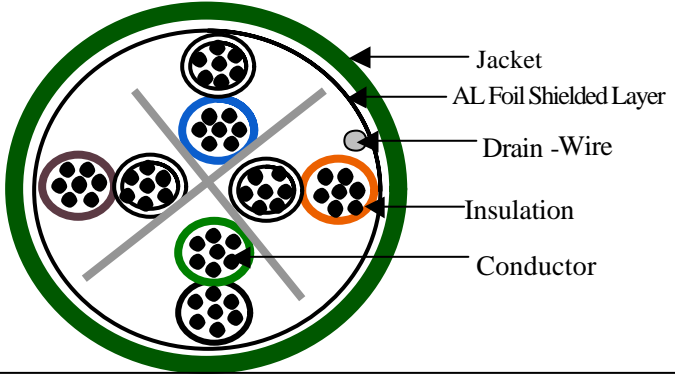

MODEL : SL6PC24271A0301

NAME : FTP Cat6 Patch Cord

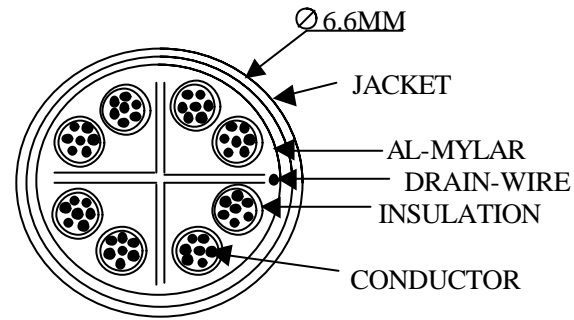
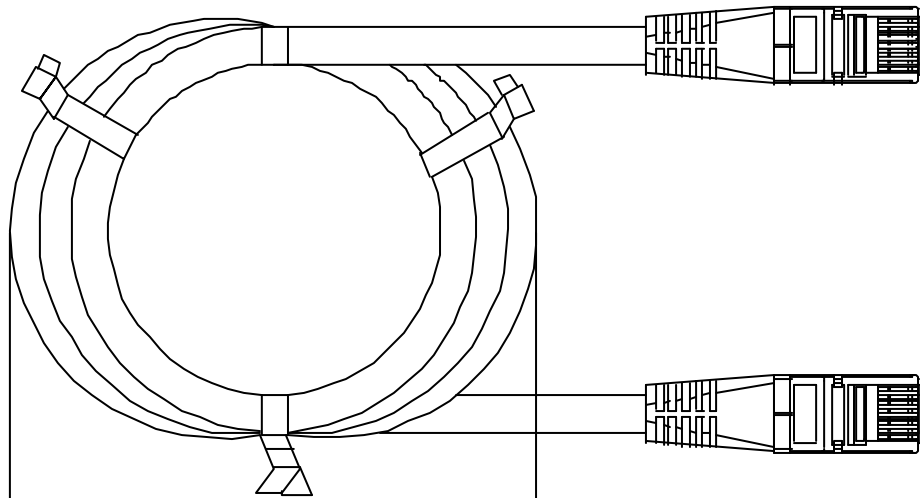
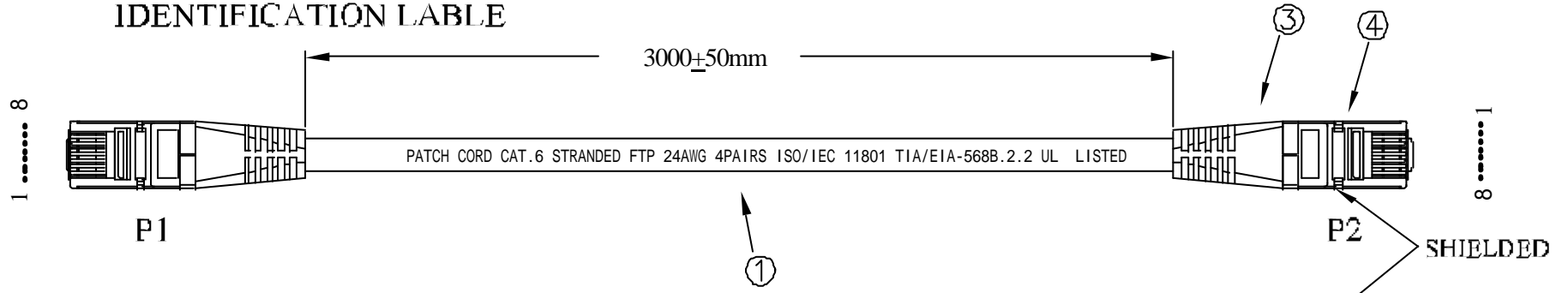


Zhejiang Sur-Link Technology Co., Ltd.

Add:Floor17,Hangtian Building,Shengnan Zhong Road# 4019,ShenZhen City,China 518035
Tel : 86-755-88265858 Fax : 86-755-88265859 [Http://www.sur-link.com](http://www.sur-link.com)

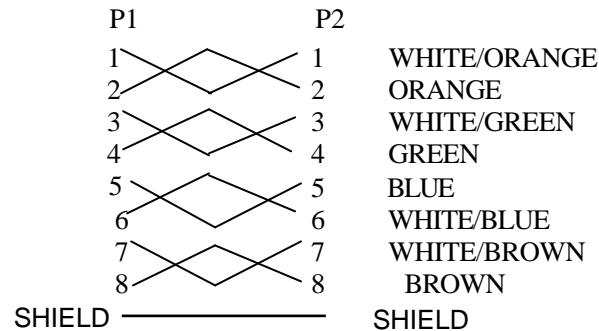
SPECIFICATION		CAT.6 FTP 4P STRANDED 24AWG 250MHZ OD 6.6MM UL		CONSTRUCTION D.W.G	
ITEM	SPECIFICATION				
CONDUCTOR	AWG	24AWG			
	MATERIAL	BARE COPPER			
	CONDUCTOR SIZE	7*0.20+0.005mm			
INSULATION	AVG THICKNESS	0.195mm			
	MIN THICKNESS	0.175mm			
	MATERIAL	HDPE			
	DIAMETER	0.98mm+0.05mm			
JACKET	AVG THICKNESS	0.74mm	<p align="center">COLOUR CODE:</p> <p>4PR :</p> <p>1.BLUE * WHITE/BLUE 2.ORANGE* WHITE /ORANGE</p> <p>3. GREEN* WHITE/GREEN 4. BROWN* WHITE/BROWN</p> <p>Length : 0.5m/1m/1.5m/2m/3m/5m/10m/15m/20m</p>		
	MATERIAL	PVC			
	DIAMETER	6.60+0.20mm			
	COLOUR	Black/red/white/orange/gray/green/blue/yellow			
Shielding	AVG Thickness	0.02mm+0.005mm			
	Material	AL Foil			
MARKING	PATCH CORD CAT.6 STRANDED STP 24AWG 4PAIRS ISO/IEC 11801 TIA/EIA -568B.2.2 UL LISTED				
ELECTRICAL CHARACTERISTICS		PHYSICAL PROPERTIES			
1,Rating Temp:75 2,D-C Resistance:9.4 ohm/100M at 20 degree C 3,Dielectric Strength:AC 0.75kv/m 4,Spark test:2kv/0.15sec 5,Nominal impedance(OHMS):100±15% 6,Pair-1P-Ground Capacitance Unbalance Max 330pf/100m 7, Propagation Delay Skew:45nS/100M		1,Tensile Strength test are before aging: Sheath:>1.41kg/mm Insulation>1.68kg/mm 2, Tensile Strength test are after aging: Sheath>85% Tensile Strength test are before aging Insulation>75% Tensile Strength test are before aging 3,Elongation after aging:Sheath:>50% Elongation before aging Insulation>75% Elongation before aging			
		<p align="center">Zhejiang Sur-Link Technology Co., Ltd.</p>			
		PART NO.	SL6PC24271A0301		
APPROVED			CUSTOMER		
CHECKED			REV		
DRAWING			DATE		

IDENTIFICATION LABEL



NOTES :

- 1 . CABLE : CAT6 FTP 24AWG (7*0.20mm) 4PAIR
- 2 . JACKET: Ø 6.6mm VL94V-0 PVC
- 3 . RJ-45 PLUG : PC 8P8C GOLD PLATED WITH SHIEDED



	Zhejiang Sur-Link Technology Co., Ltd.		
	PART NO.	SL6PC24271A0301	
APPROVED		CUSTOMER	
CHECKED		REV	
DRAWING		DATE	