

PRODUCTS SPECIFICATION

MODEL : SL5PC24271A0301

NAME : STP Cat5E Patch Cord

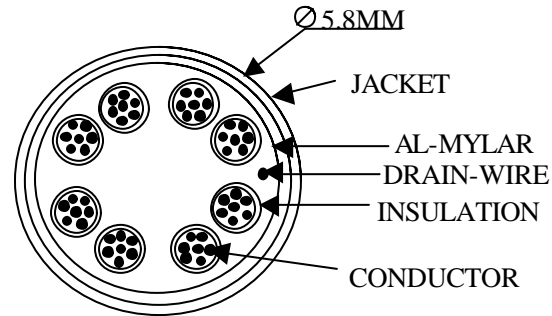
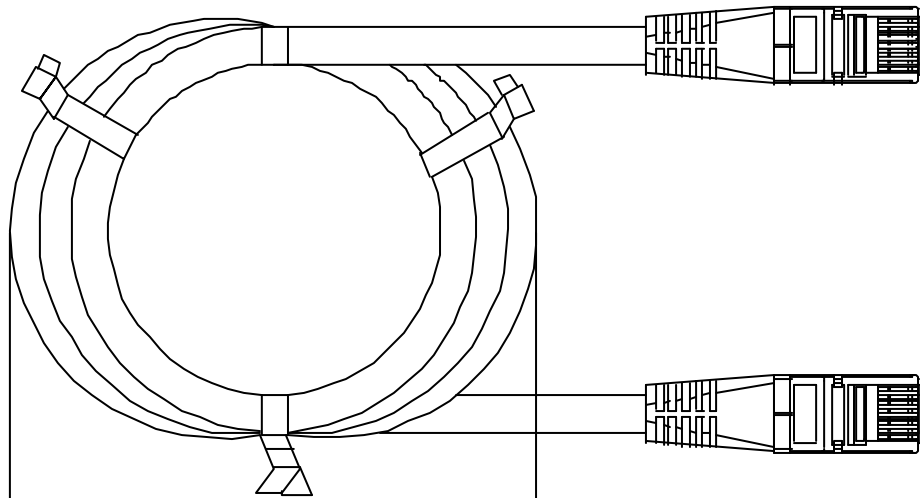
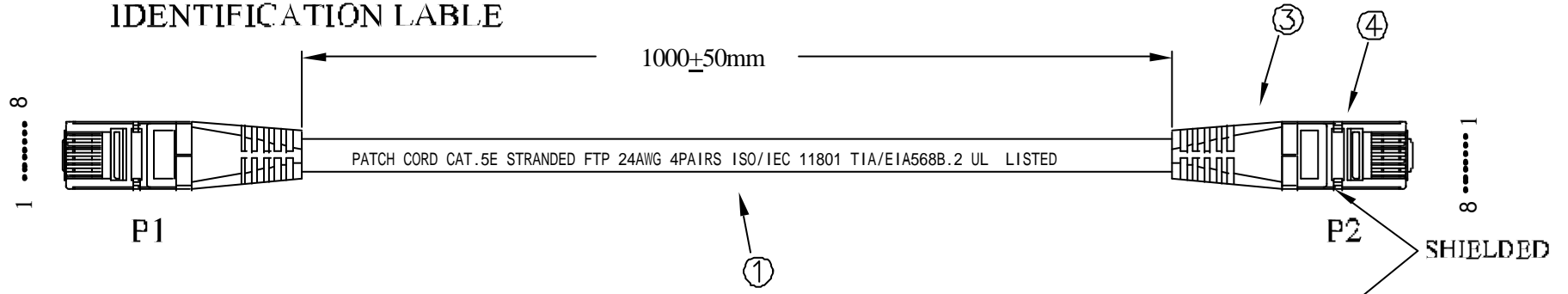


Zhejiang Sur-Link Technology Co., Ltd.

Add: Floor 17, Hangtian Building, Shengnan Zhong Road # 4019, ShenZhen City, China 518035
Tel : 86-755-88265858 Fax : 86-755-88265859 [Http://www.sur-link.com](http://www.sur-link.com)

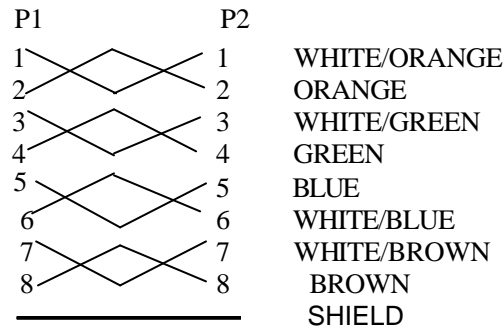
SPECIFICATION		CAT.5E FTP 4P STRANDED 24AWG 100MHZ OD 5.8MM UL		CONSTRUCTION D.W.G	
ITEM		SPECIFICATION		<p>PVC Jacket Al Foil Shielded Layer Drain -wire Insulation Conductor</p> <p>COLOUR CODE:</p> <p>4PR :</p> <p>1.BLUE * WHITE/BLUE 2.ORANGE* WHITE /ORANGE 3. GREEN* WHITE/GREEN 4. BROWN* WHITE/BROWN</p> <p>Length : 0.5m/1m/1.5m/2m/3m/5m/10m/15m/20m</p>	
CONDUCTOR	AWG	24AWG			
	MATERIAL	BARE COPPER			
	CONDUCTOR SIZE	7*0.20±0.005mm			
INSULATION	AVG THICKNESS	0.195mm			
	MIN THICKNESS	0.175mm			
	MATERIAL	HDPE			
	DIAMETER	0.98mm±0.05mm			
JACKET	AVG THICKNESS	0.74mm			
	MATERIAL	PVC			
	DIAMETER	5.80±0.20mm			
	COLOUR	Black/red/white/orange/gray/green/blue/yellow			
Shielding	AVG Thickness	0.02mm±0.005mm			
	Material	AL Foil			
MARKING	PATCH CORD CAT.5E STRANDED FTP 24AWG 4PAIRS ISO/IEC 11801 TIA/EIA-568B.2 UL LISTED				
ELECTRICAL CHARACTERISTICS		PHYSICAL PROPERTIES			
1,Rating Temp:75 2,D-C Resistance:9.4 ohm/100M at 20 degree C 3,Dielectric Strength:AC 0.75kv/m 4,Spark test:2kv/0.15sec 5,Nominal impedance(OHMS):100±15% 6,Pair-1P-Ground Capacitance Unbalance Max 330pf/100m 7, Propagation Delay Skew:45nS/100M		1,Tensile Strength test are before aging: Sheath:>1.41kg/mm Insulation>1.68kg/mm 2, Tensile Strength test are after aging: Sheath>85% Tensile Strength test are before aging Insulation>75% Tensile Strength test are before aging 3,Elongation after aging:Sheath:>50% Elongation before aging Insulation>75% Elongation before aging			
		Zhejiang Sur-Link Technology Co., Ltd.			
APPROVED			CUSTOMER		
CHECKED			REV		
DRAWING			DATE		

IDENTIFICATION LABEL



NOTES :

- 1 . CABLE : CAT5E FTP 24AWG (7*0.20mm) 4PAIR
- 2 . JACKET: Ø 5.8mm VL94V-0 PVC
- 3 . RJ-45 PLUG : PC 8P8C



	Zhejiang Sur-Link Technology Co., Ltd.		
	PART NO.	SL5PC24271A0301	
APPROVED		CUSTOMER	
CHECKED		REV	
DRAWING		DATE	