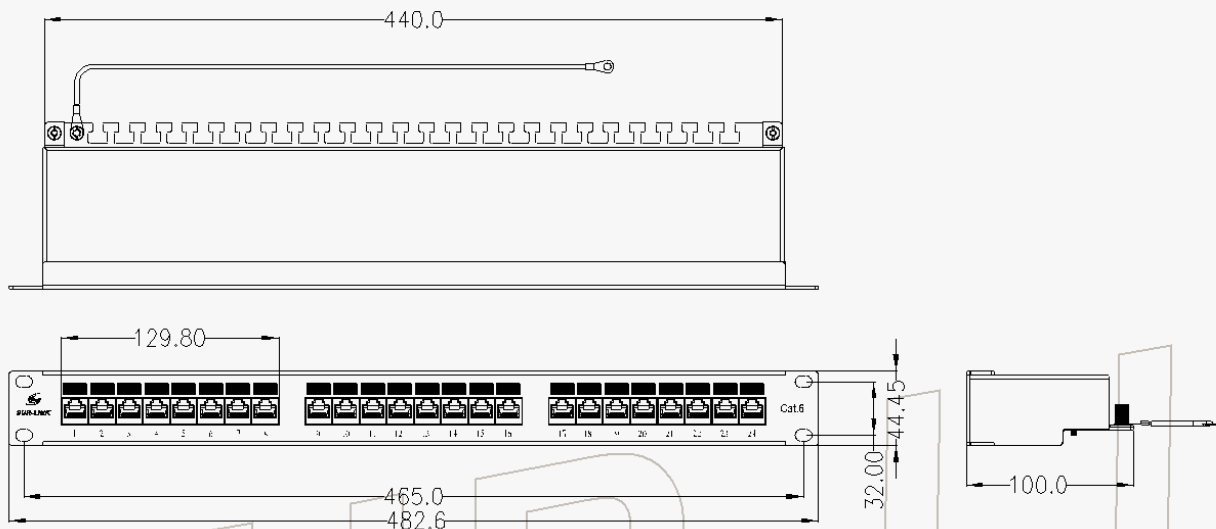


Cat.6 24 Port FTP Patch Panel

SL6PP2402S103



NOTES:

ELECTRICAL:

1. VOLTAGE RATING : 125 VAC RMS
2. CURRENT RATING : 1.5 AMP
3. CONTACT RESISTANCE : 100 MILLIOHMS MAX
4. INSULATION RESISTANCE : 1000 MEGOHMS MIN @ 500 VDC
5. DIELECTRIC STRENGTH : 750 VAC RMS 60Hz, 1MIN

ENVIRONMENTAL:

1. STORAGE : -40° TO +85°
 2. OPERATION : 0° TO 70°
- CONFORM TO ANSI/TIA/EIA-568 B.2-1
 MATES WITH MODULAR PLUG CONFORMING TO FCC PART 68

MECHANICAL:

1. HOUSING MATERIAL : PBT+15%GF UL94V-0
2. PANEL FRAME : CARBON STEEL, POWDER COATING IN BLACK COLOR
3. CONTACT MATERIAL : PC UL94V-0 CONTACT:PHOSPHOR BRONZE WITH NICKEL PLATING
4. RJ45 JACK LIFE : 750 TIMES MIN
5. IDC LIFE : 200 TIMES MIN
6. WIRE : AWG 24~26

PART NUMBER: SL6PP2402S103