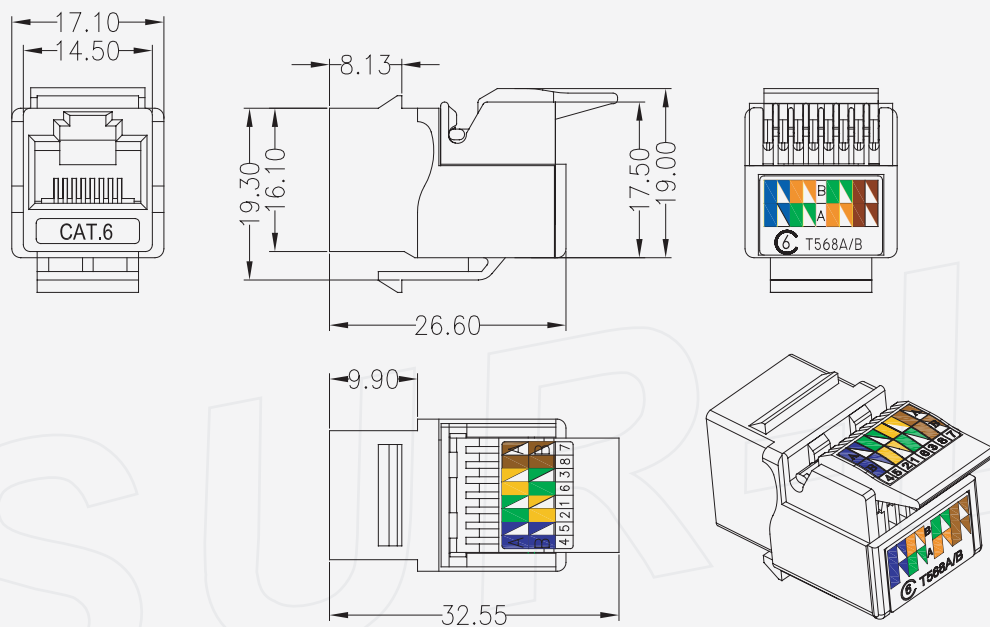


SL6KJUT011102

NOTES:
ELECTRICAL:

- | | |
|-------------------------|------------------------------------|
| 1.VOLTAGE RATING | : 125 VAC RMS |
| 2.CURRENT RATING | : 1.5 AMP |
| 3.CONTACT RESISTANCE | :100 MILLIOHMS MAX |
| 4.INSULATION RESISTANCE | :1000 MEGOHMS MIN @ 500 VDC |
| 5.DIELECTRIC STRENGTH | :750 VAC RMS 60Hz,1MIN |
| 6.C6 PERMANENT LINK | :CONFORM TO ANSI/TIA/EIA-568 B.2-1 |

ENVIRONMENTAL:

- | | |
|-------------|----------------|
| 1.STORAGE | : -40° TO +85° |
| 2.OPERATION | : 0° TO 70° |
- MATES WITH MODULAR PLUG CONFORMING TO FCC PART 68,SUBPART F.

MECHANICAL:

- | | |
|-------------------------|---|
| 1.HOUSING MATERIAL | :PC UL94V-0 |
| 2. INSERT MATERIAL | :FLAME RETARDANCY ABS UL94V-0 |
| 3. PCB MATERIAL | :FR-4 THICKNESS:1.6mm |
| 4. CONTACT MATERIAL | :PHOSPHOR BRONZE STAMP PIN T=0.35mm |
| 5. IDC CONTACT MATERIAL | :PHOSPHOR BRONZE T=0.50mm WITH NICKEL PLATING |
| 6. WIRE | :AWG 24~26 |

PART NUMBER:SL6KJUT011102