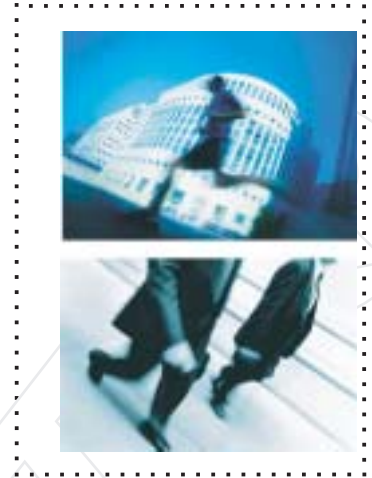
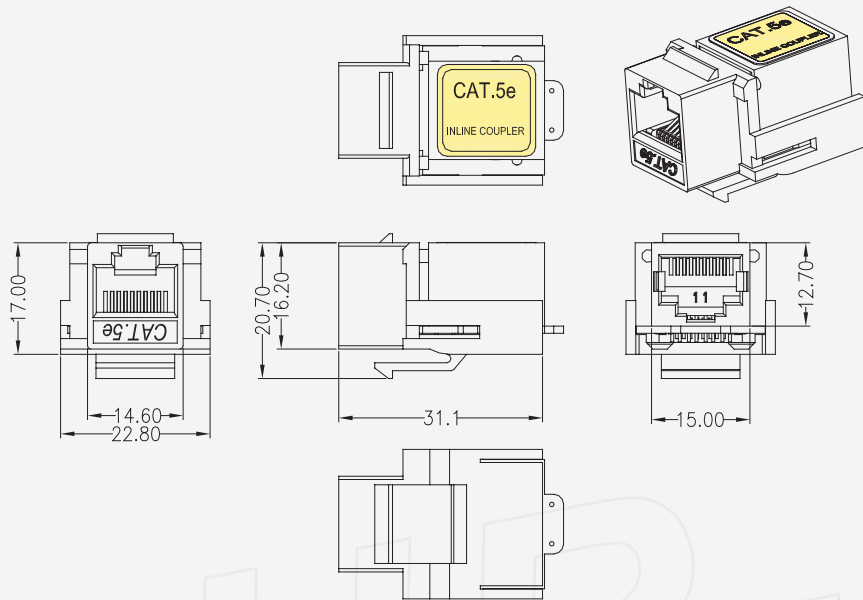


# Cat.5e In-line Coupler RJ45-RJ45

**SL5KJUT021105**



**NOTES:**

**ELECTRICAL:**

- 1.VOLTAGE RATING : 125 VAC RMS
- 2.CURRENT RATING : 1.5 AMP
- 3.CONTACT RESISTANCE :100 MILLIOHMS MAX
- 4.INSULATION RESISTANCE :1000 MEGOHMS MIN @ 500 VDC
- 5.DIELECTRIC STRENGTH :750 VAC RMS 60Hz,1MIN

**ENVIRONMENTAL:**

- 1.STORAGE :-40° TO +85°
  - 2.OPERATION :0° TO 70°
- CONFORM TO TIA/EIA 568B CATEGORY 5e  
 MATES WITH MODULAR PLUG CONFORMING TO FCC PART 68,SUBPART F.

**MECHANICAL:**

- 1. HOUSING MATERIAL :PC UL94V-0
- 2. JACK HOUSING MATERIAL :PBT+15%GF UL94V-0
- 3. PCB MATERIAL :FR-4 THICKNESS:1.6mm
- 4. CONTACT MATERIAL :PHOSPHOR BRONZE STAMP PIN T=0.35mm
- 5. IDC CONTACT MATERIAL :PHOSPHOR BRONZE T=0.50mm NICKEL PLATING
- 6. WIRE :AWG 24~26

PART NUMBER:SL5KJUT021105

**6.CATEGORY 5e CHARACTERISTIC:**

Frequence	Near-End Cross Talk dB, MIN.	Return Loss dB, MIN.	Attenuation dB,MAX.
1.0 MHZ	65.0	35.5	0.1
4.0 MHZ	65.0	35.5	0.1
8.0 MHZ	64.9	35.5	0.1
10.0 MHZ	63.0	35.5	0.1
16.0 MHZ	58.9	35.5	0.2
20.0 MHZ	57.0	34.0	0.2
25.0 MHZ	55.0	32.0	0.2
31.25 MHZ	53.1	30.1	0.2
62.5 MHZ	47.1	24.0	0.3
100.0 MHZ	43.0	20.0	0.4