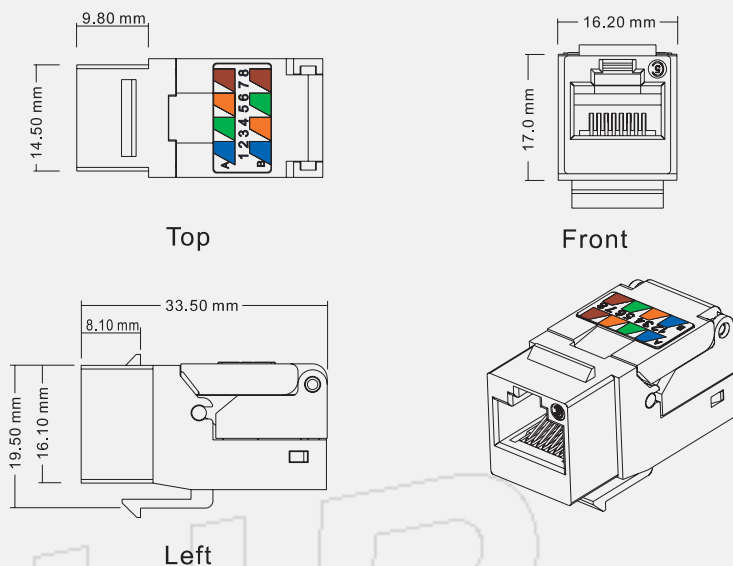
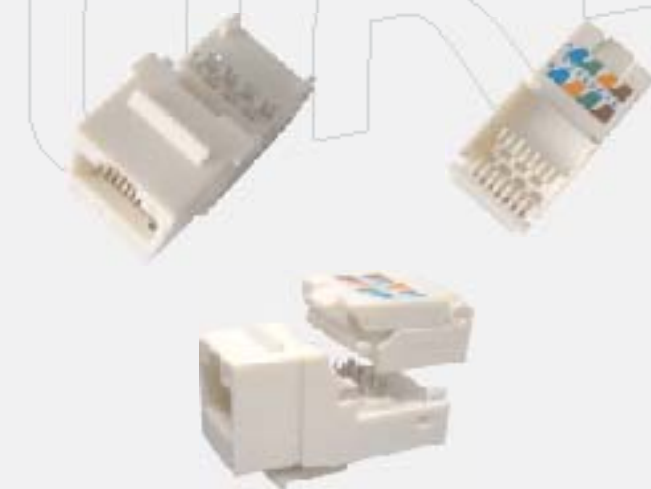


SL6KJUT061104
Presentation

Photo

Main Describe of The Product:

1. Unshielded Keystone jack. Toolless type. The products are used in the Equipment Rooms & Work area as communication connectors of the intelligent Buildings.
2. According with ISO/IEC 11801:2002 Class E & ANSI/TIA/EIA/568-B.2-1 CAT.6 standard.
3. According with T568A & T568B. The T568A & T568B labels are adhibited on the both sides of the product to give a exact guide when a engineer punches the cables.
4. Connecting: RJ45 port for UTP patch cord and the IDC port for STP horizontal cabling.
5. According with ROHS requirement.
6. Fit for Cat.6 Cabling systems, can also be used on Cat.5 and Cat.5e cabling systems.

Technique Characteristics:

1. The plastic parts' material: PC UL94V-0
- 2.8 Pin of the RJ45 jack: Phosphor bronze with 50U golden cladding. Insertion Dependability: 750 times.
3. IDC Clips: Tinned phosphor bronze pins. Fit for 22AWG/23AWG/24AWG Cables. Punching Dependability: 250 times.
4. Punching Tools: Toolless Type.
5. Testing condition of transmitting capability : 250MHz